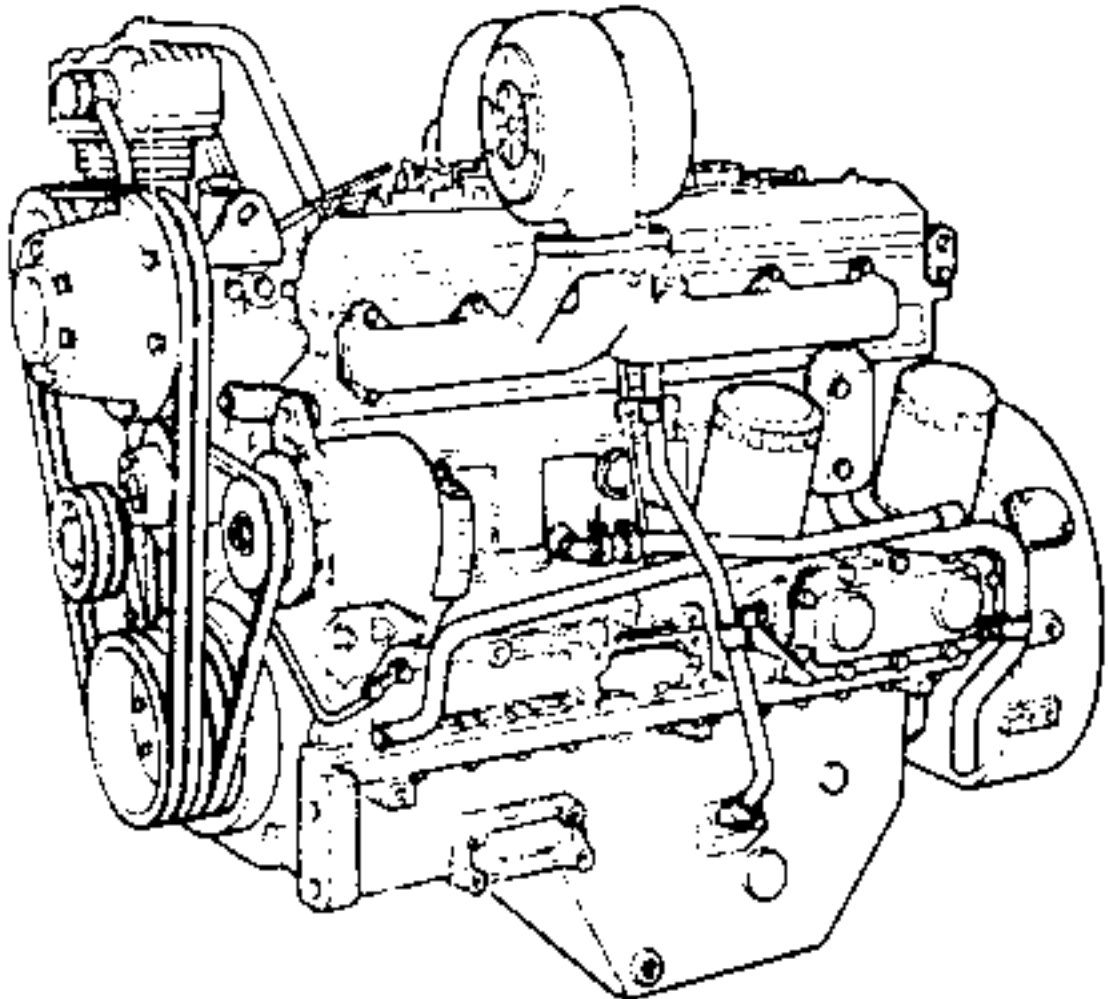




# ILLINI Replacement Parts for Iveco Engines

JANUARY, 2001



1815 Wallace Avenue, Unit 310, St. Charles, IL 60174 Email: [info@illiniparts.com](mailto:info@illiniparts.com)  
Phone: 630-443-9500 Fax: 630-443-9505





## INDEX

TERMS AND CONDITIONS OF SALE.....	PAGE 4
GENERAL INFORMATION .....	PAGE 5
PRICE BOOK DIFINTIONS .....	PAGE 6
IVECO DIESEL ENGINE MODELS .....	PAGE 7
VALVES AND CAMSHAFTS.....	PAGE 8
PISTON AND SLEEVES .....	PAGE 13
CONNECTING ROD AND CRANKSHAFTS .....	PAGE 17
GASKET AND SEALS .....	PAGE 23
COOLING SYSTEMS .....	PAGE 29
FILTER SECTION .....	PAGE 32

**VISIT OUR WEBSITE AT "[www.illiniparts.com](http://www.illiniparts.com)".  
FOR INFORMATION ON ILLINI PRODUCT LINES,  
PARTS SPECIAL, NEW OFFERINGS AND GENERAL  
COMPANY INFORMATION.**



**ILLINI CONSTRUCTION AND INDUSTRIAL EQUIPMENT PARTS  
TERMS AND CONDITIONS OF SALE  
U.S.A. SHIPMENTS**

---

**1. Order Acceptance**

Each order shall be subject to these terms and conditions which supercede any and all terms and conditions appearing on Purchaser's order form. Acceptance of an order by Illini is expressly conditional on agreement to these terms and conditions, which shall be deemed given unless Purchaser shall notify Illini to the contrary in writing within ten (10) days after order acceptance by Illini. No order accepted by Illini may be altered or modified by the Purchaser unless agreed to in writing, by Illini.

**2. Delivery and Transportation Costs**

Delivery of goods to a carrier at Illini's factory or other shipping point shall constitute delivery to Purchaser. Unless otherwise specified, all goods are sold F.O.B. Illini's factory or warehouse shipping point. Method and route of shipment shall be at the discretion of Illini unless Purchaser specifies otherwise. Any additional expense of the method or route of shipment specified by Purchaser shall be borne entirely by Purchaser.

**3. Partial Shipments and Delays**

Illini reserves the right to make partial shipments. Partial shipments shall be separately invoiced and paid for when due per invoice without regard to subsequent deliveries. Delay in delivery of any partial shipment shall not relieve Purchaser of its obligations to accept remaining deliveries. Illini shall not be liable for any damage including special or consequential damages as a result of any delay.

**4. Payment Terms**

With credit approval, the net amount of an invoice shall be due thirty (30) days after the invoice date unless otherwise stated in the invoice. Thereafter, any unpaid balance is subject to a service charge. Illini reserves the right to request credit information and establish credit limits. Illini may require full payment in advance of shipment of the order.

**5. Warranty**

Illini warrants that its new parts will conform to applicable specifications and be free of defects in material and workmanship under normal use and service. This warranty shall extend for 180 days from Illini invoice date. Illini will replace free of charge F.O.B. Illini plant any parts to be defective in materials or workmanship provided the part or parts were properly installed, serviced, and used in normal operation. Illini may request the defective part be returned to our warehouse. **UNDER NO CIRCUMSTANCES WILL ILLINI RECOGNIZE CLAIMS FOR LABOR CHARGES OR CONSEQUENTIAL DAMAGES, OUR LIABILITY BEING LIMITED STRICTLY TO THE REPLACEMENT OF SUCH PARTS AS WE FIND DEFECTIVE.**

**6. Service Parts Return Policy**

Purchaser may return any returnable parts subject to the following terms and conditions. A non-returnable part is identified in the current parts price list.

**7. Remanufactured Parts Policy**

Remanufactured parts will be priced for the item ordered plus core charge if applicable. These charges will be separated on order and invoice.

A. Request for return authorization must be made within thirty (30) days of invoice date and the parts must be returned within thirty (30) days of the authorization for parts shipped/ordered in error.

B. Your purchase order number and the Illini order number must be submitted with the request. All goods returned must be accompanied by sales invoice supporting part purchase from Illini.

C. The authorized return amount will be credited to the Purchaser's account at invoice price less 20% handling and returning charges.

D. All parts authorized for return must have an RMA (Return Material Authorization) number and a copy of the RMA with the return parts.

E. Freight must be prepaid by the Purchaser.

F. All parts must be tagged with OEM/Illini part number.

G. Parts must be in a new and saleable condition as determined by Illini inspection.

H. Parts must have been originally purchased as an emergency or repair service parts order from Illini. Stock order returns will be allowed only on the annual return program.

I. Cores returned must have prior Return Material Authorization (RMA). Cores must be complete and assembled with core tag attached. Cores must be returned within 45 days of shipment of remanufactured part.

J. Parts returned without a return material authorization (RMA) will not be accepted and will be returned to the Purchaser, freight collect.

K. If Purchaser places an order and that part was placed in error by Purchaser, or a shipping error, the Purchaser can return the part subject to the above terms (items A-I).

L. Once per year, a Purchaser may return for credit up to 10% of the stock orders placed the previous calendar year subject to the above terms (items B-I). A Purchaser will be notified on an annual basis the total value of stock orders placed and will be given a specific return date.

M. Parts to be returned to Illini must be in the original package and have a minimum line value of \$8.00. Broken packs, kits, or components will not be accepted for return credit.

**8.**

Claims for loss or damage to goods in transit are to be made promptly to the carrier, not to Illini. Claims for shortages or other errors, exclusive of transit shortages or damages, must be made in writing to Illini within ten (10) days after delivery; failure to give such notice shall constitute acceptance and waiver of all claims by Purchaser.

**9.**

Any sales or use tax imposed by any government agency on any transaction between Illini and Purchaser shall be paid by Purchaser. In Lieu of payment, Purchaser shall provide Illini at the time order is submitted with an acceptable tax exemption certification.



**ILLINI CONSTRUCTION EQUIPMENT PARTS  
GENERAL INFORMATION**

---

- ◆ Prices are F.O.B. factory warehouse.
- ◆ Prices are subject to change without notice.
- ◆ Please call factory for part numbers not priced or not listed.

**SERVICE PARTS ORDER OPTIONS**

◆ **Emergency Orders (Type 1)**

Parts will be shipped same day/next day. Dealer will be billed Dealer Net, current price in effect on date of shipment plus a handling fee that shall be 5 % of sale, freight collected. Maximum handling fee per piece shall not exceed \$75.00. If a part is not shipped within 24 hours, the handling fee will be dropped.

◆ **Repair Orders (Type 3)**

Parts will normally be shipped within three (3) days. Dealer will be billed Dealer Net, current price in effect on date of shipment, freight collect.

◆ **Stock Orders (Type 2)**

This order option is only available for dealers with annual sales greater than \$5,000.00.

Orders may be placed one order per week via FAX. Shipment will be made within seven (7) days. If the procedure is followed, the Dealer will be billed Dealer Net, current price in effect on date of shipment less the appropriate discount per schedule below:

Orders of less than \$400 (no freight allowance)	2% Discount
Orders between \$400-\$7,500	5% Discount
Orders greater than \$7,500	7% Discount

Illini will pre-pay the freight for such stock orders except for orders under \$400.

Undercarriage orders, machine options, accessories, 'advise' priced parts, export outlets including Canada, specials, blades, engines and certain other heavy parts are not subject to stock order discounts or freight allowances.

If payment is not received by Illini on or before the due date, the 2%, 5% or 7% stock order discount and freight allowances will be charged back to the Dealer's account.

◆ **Small Order Surcharge**

\$4.00 per order surcharge for any order less than \$50.00.



**THIS IS A NEW PARTS PRICE LIST EDITION  
REPLACING ALL PREVIOUS EDITIONS AND ALL PRICE  
BULLETINS**

---

**PRICE LIST DEFINITIONS**

<b><u>COLUMN HEADING</u></b>	<b><u>EXPLANATION</u></b>
<b>USE CODE</b>	A "U" will appear in this column if the part number is replaced by a new part number.
<b>PART NUMBER</b>	
<b>DESCRIPTION</b>	Describes part number, if "U" appears in use code, description will list replacement part number(s).
<b>QUALITY REPLACEMENT PARTS</b>	Quality replacement parts can be found by entering a QR after part number. Example: 73157355QR.
<b>UM</b>	Unit of measure.
<b>LIST PRICE</b>	List price of dollars appearing are only suggested resale price.
<b>REMANUFACTURED PARTS</b>	Will be denoted by part number followed by 4009171R (suffix).  Original OEM number if available in reman will be denoted by (prefix) X - preceding description. Example: XPump.  Core number and core charge will be denoted by part number followed by RC (suffix). Example: 4009171RC.
<b>RET</b>	"R" - Returnable under the annual return program and return material procedures.  "F" - FastTrack - Multiuse Parts, Returnable  "N" - Non-returnable  "C" - Non-cancelable  "L" - Last time returnable at the higher eligibility code this year. Part will have a lower eligibility code next year.
<b>WT</b>	Weight rounded to the nearest tenth of a point.

**NOTE: PRICES SUBJECT TO CHANGE WITHOUT NOTICE.**



## Iveco Diesel Engines Models

---

### Group "A"

8041.I.02  
8045.04  
8065.04

### Group "E"

8365.25

### Group "B"

8041.I.05  
8045.05  
8061.I.05  
8065.05

### Group "F"

CO3-130

### Group "C"

8045.24  
8065.24

### Group "G"

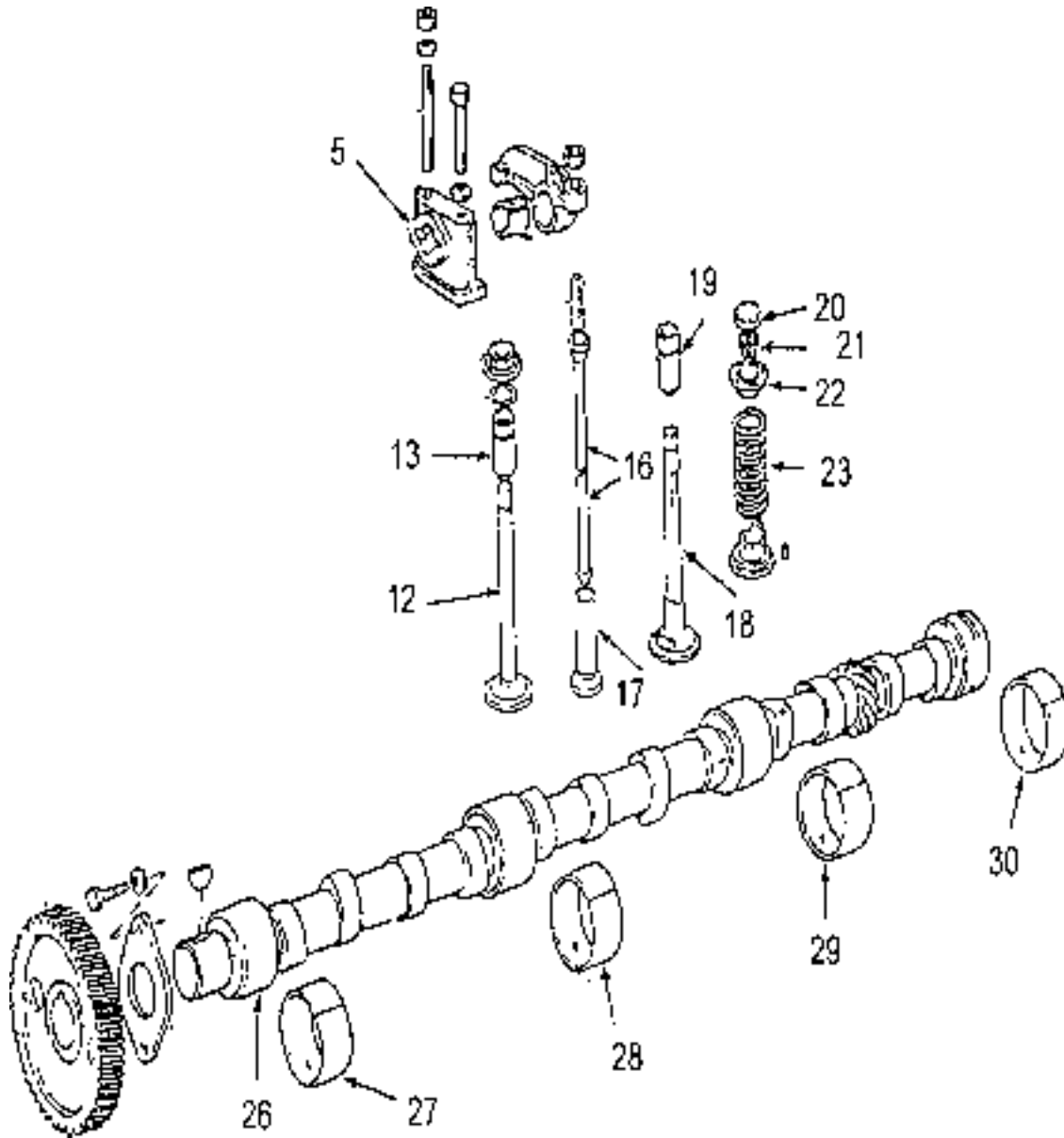
8215.02  
8215.22

### Group "D"

8045.25  
8065.25



## VALVES / CAMSHAFT







**GROUP "A" MODELS 8041.I.02, 8045.04, 8065.04**  
**VALVES & CAMSHAFT**

ITEM #	PART NUMBER	DESCRIPTION	4 CYL	6 CYL
5	4601295	Support	4	6
12	4802200	Intake Valve	4	6
13	4802126	Intake Exhaust Guide	8	12
16	4637005	Push Rod	8	12
17	98471524	Tappet	8	12
17a	4693033	Tappet (prior Jan 1976)	8	12
18	4673608	Exhaust Valve	4	6
19	-	See Item # 13	-	-
20	4838680	Cap	8	12
21	14196670	Valve Lock	16	24
22	4578175	Cup, Upper	8	12
23	4689554	Valve Spring	8	12
26	4603154	Camshaft	1	-
26	4603190	Camshaft	-	1
27	4718618	Internal/Rear Cam Bearing	1	1
28	4718619	Internal/Rear Cam Bearing	1	1
29	4718620	Front Cam Bearing	1	1
30	4718621	Rear Cam Bearing	-	1

**GROUP "B" MODELS 8041.I.05, 8045.05, 8061.I.05, 8065.05**  
**VALVES & CAMSHAFT**

5	4601295	Support	4	6
12	1908408	Intake Valve	4	6
13	4802126	Intake Exhaust Guide	8	12
16	98471529	Push Rod	8	12
17	98471524	Tappet	8	12
17a	4693033	Tappet (prior Jan 1976)	8	12
18	1908410	Exhaust Valve	4	6
19	-	See Item # 13	-	-
20	4838680	Cap	8	12
21	14196670	Valve Lock	16	24
22	4780558	Cup, Upper	8	12
23	4780108	Valve Spring	8	12
26	98425868	Camshaft	1	-
26	4824221	Camshaft	-	1
27	4718618	Internal/Rear Cam Bearing	1	1
28	4718619	Internal/Rear Cam Bearing	1	1
29	4718620	Front Cam Bearing	1	1
30	4718621	Rear Cam Bearing	-	1



**GROUP "C" MODELS 8045.24, 8065.24**  
**VALVES & CAMSHAFT**

ITEM #	PART NUMBER	DESCRIPTION	4 CYL	6 CYL
5	4601295	Support	4	6
12	4802204	Intake Valve	4	6
13	4802126	Intake Exhaust Guide	8	12
16	4637005	Push Rod	8	12
17	98471524	Tappet	8	12
17a	4693033	Tappet (prior Jan 1976)	8	12
18	4658055	Exhaust Valve	4	6
19	-	See Item # 13	-	-
20	4838680	Cap	8	12
21	14196670	Valve Lock	16	24
22	4578175	Cup, Upper	8	12
23	4578950	Outer Valve Spring	8	12
23a	4578951	Inner Valve Spring	8	12
26	4603154	Camshaft	1	-
26	4603190	Camshaft	-	1
27	4718618	Internal/Rear Cam Bearing	1	1
28	4718619	Internal/Rear Cam Bearing	1	1
29	4718620	Front Cam Bearing	1	1
30	4718621	Rear Cam Bearing	-	1

**GROUP "D" MODELS 8045.25, 8065.25**  
**VALVES & CAMSHAFT**

5	4601295	Support	4	6
12	1908408	Intake Valve	4	6
13	4802126	Intake Exhaust Guide	8	12
16	98471529	Push Rod	8	12
17	98471524	Tappet	8	12
17a	4693033	Tappet (prior Jan 1976)	8	12
18	1908409	Exhaust Valve	4	6
19	-	See Item # 13	-	-
20	4838680	Cap	8	12
21	14196670	Valve Lock	16	24
22	4578175	Cup, Upper	8	12
23	4578950	Outer Valve Spring	8	12
23a	4578951	Inner Valve Spring	8	12
26	98425868	Camshaft	1	-
26	4824221	Camshaft	-	1
27	4718618	Internal/Rear Cam Bearing	1	1
28	4718619	Internal/Rear Cam Bearing	1	1
29	4718620	Front Cam Bearing	1	1
30		Rear Cam Bearing	-	1



**GROUP "E" MODELS 8365.25**  
**VALVES & CAMSHAFT**

ITEM #	PART NUMBER	DESCRIPTION	4 CYL	6 CYL
5	98418727	Support		12
12	4821709	Intake Valve		6
13	4758794	Intake Exhaust Guide		6
16	8828869	Push Rod		12
17	4753580	Tappet		12
18	8830045	Exhaust Valve		6
19	4758798	Exhaust Guide		6
21	14196670	Valve Lock		24
23	4798427	Valve Spring		12
26	Call Illini	Camshaft <b>MUST VERIFY APPLICATION</b>		-
27	8829580	Front Cam Bearing		1
28	8829581	Internal Cam Bearing		5
30	8829582	Rear Cam Bearing		1

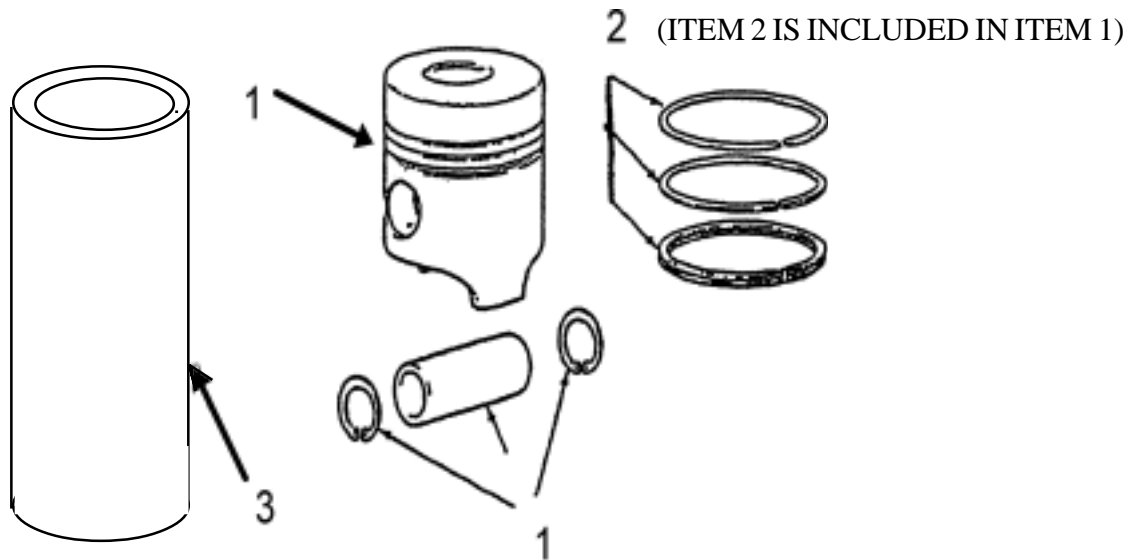
**GROUP "F" MODELS C03-130**  
**VALVES & CAMSHAFT**

12	4821709	Intake Valve	4	
13	4758794	Intake Exhaust Guide	4	
16	8828869	Push Rod	8	
17	4753580	Tappet	8	
18	8830045	Exhaust Valve	4	
19	4758798	Exhaust Guide	4	
21	14196670	Valve Lock	16	
23	4798427	Valve Spring	8	



**PISTON & SLEEVE**

---





**GROUP "A" MODELS 8041.I.02,8045.04,8065.04**  
**PISTON & SLEEVE**

ITEM #	PART NUMBER	DESCRIPTION	4 CYL	6 CYL
1	1908748	Piston Set	4	6
2	1909234	Ring Set	4	6
3	4679201	Liner	4	6

**GROUP "B" MODELS 8041.I.05, 8045.05, 8061.I.05, 8065.05**  
**PISTON & SLEEVE**

1	1930186	Piston Set	4	6
2	1930191	Ring Set	4	6
3	4770623	Liner	4	6

**GROUP "C" MODELS 8045.24, 8065.24**  
**PISTON & SLEEVE**

1	1930000	Piston Set	4	6
2	1930005	Ring Set	4	6
3	4679201	Liner	4	6

**GROUP "D" MODELS 8045.25, 8065.25**  
**PISTON & SLEEVE**

1	1930206	Piston Set	4	6
2	1930209	Ring Set	4	6
3	4770623	Liner	4	6

**GROUP "E" MODELS 8365.25**  
**PISTON & SLEEVE**

1	1930232	Piston Set, FLAT TYPE		6
1A	1930742	Piston Set, STEPPED TYPE		6
		<i>Refer to s/n &amp; camshaft to determine correct piston</i>		
2	1930753	Ring Set		6
3	4850230	Liner**		6

**GROUP "F" MODELS C03-130**  
**PISTON & SLEEVE**

1	1901209	Piston Set	4	
2	1901481	Ring Set	4	
3	4850230	Liner**	4	
*SEE LINER SHIM ATTACHMENT.				



Liner Shims for CO3 & 8365 Iveco

Part Number	Size - mm	Size - Inches	Color Code
4750807	3.09-3.11	.1216-.1224	Brown
4750808	3.11-3.13	.1224-.1232	Brown-Orange
4750809	3.13-3.15	.1232-.1240	Orange
4750810	3.15-3.17	.1240-.1248	Yellow
4750811	3.17-3.19	.1248-.1255	Yellow-Red
4750812	3.19-3.21	.1255-.1263	Red
4750813	3.21-3.23	.1263-.1271	Green
4750814	3.23-3.25	.1271-.1279	Green-White
4750815	3.25-3.27	.1279-.1287	White
4750816	3.27-3.29	.1287-.1295	Blue
4750817	3.29-3.31	.1295-.1303	Blue-Black
4750818	3.31-3.33	.1303-.1311	Black
4750819	3.33-3.35	.1311-.1318	Black-Yellow
4750820	3.35-3.37	.1318-.1326	Yellow-Green
4750821	3.37-3.39	.1326-.1334	Green-Red
4750822	3.39-3.41	.1334-.1342	Red-Black
4764705	3.41-3.43	.1342-.1350	White-Black
4764706	3.43-3.45	.1350-.1358	White-Red
4764707	3.45-3.47	.1358-.1366	White-Brown
4764708	3.47-3.49	.1366-.1374	White-Blue



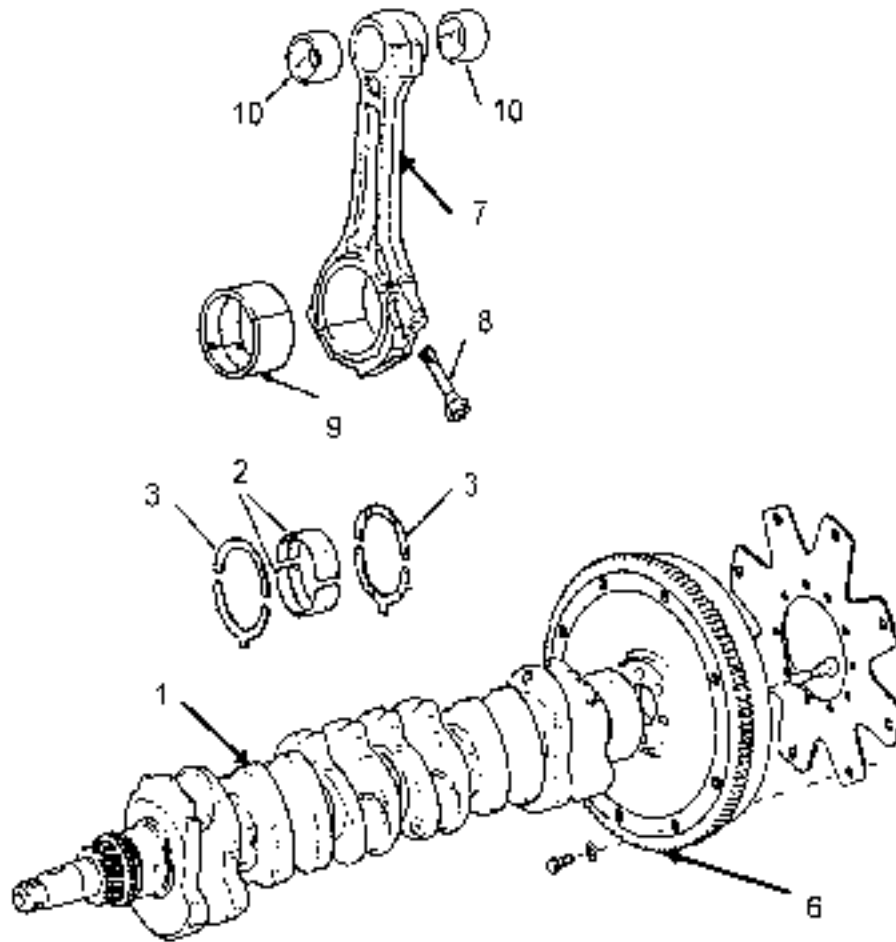
**GROUP "G" MODELS 8215.02, 8215.22**  
**CONNECTING ROD & CRANKSHAFT GROUP**

ITEM #	PART NUMBER	DESCRIPTION	4 CYL	6 CYL
1	1901398	Piston Set <i>"A" type non-turbo</i>	-	6
1A	1901399	Piston Set <i>"B" type non-turbo</i>	-	6
1B	1902406	Piston Set <i>Non-turbo</i>	-	6
		<i>Turbo type match all six</i>		
2	1901452	Ring Set	-	6
2A	1902405	Ring Set <i>Turbo</i>	-	6
3	4622074	Liner	-	6



CONNECTING ROD & CRANKSHAFT GROUP

---





**GROUP "A" MODELS 8041.I.02,8045.04,8065.04**  
**CONNECTING ROD & CRANKSHAFT GROUP**

ITEM #	PART NUMBER	DESCRIPTION		
1	4785103	Crankshaft	1	-
1A	4785100	Crankshaft	-	1
2	1901803	Main Bearing Std.	5	7
2A	1901804	Main Bearing .010	5	7
2B	1901805	Main Bearing .020	5	7
3	1901377	Thrust Washer KIT	1	1
6	4704106*	Ring Gear	1	1
		<i>*used with some marrelli starters</i>		
7	4796181	Connecting Rod	4	6
8	4762000	Bolt	8	12
9	1901609	Rod Bearing Std.	4	6
9A	1901610	Rod Bearing -.010	4	6
9B	1901611	Rod Bearing -.020	4	6
9C	1901612	Rod Bearing -.030	4	6
9D	1901613	Rod Bearing -.040	4	6
10	4766404	Wrist Pin Bushing	4	6

**GROUP "B" MODELS 8041.I.05, 8045.05, 8061.I.05, 8065.05**  
**CONNECTING ROD & CRANKSHAFT GROUP**

1	4785110	Crankshaft	1	-
1A	4785107	Crankshaft	-	1
2	1930176	Main Bearing Std.	5	7
2A	1930177	Main Bearing .010	5	7
2B	1930178	Main Bearing .020	5	7
2C	1930179	Main Bearing .030	5	7
2D	1930180	Main Bearing .040	5	7
3	1901385	Thrust Washer KIT	1	1
6	4704106*	Ring Gear	1	1
		<i>*used with some marrelli starters</i>		
7	98461751	Connecting Rod	4	6
8	4780627	Bolt	8	12
9	1930181	Rod Bearing Std.	4	6
9A	1930182	Rod Bearing -.010	4	6
9B	1930183	Rod Bearing -.020	4	6
9C	1930184	Rod Bearing -.030	4	6
9D	1930185	Rod Bearing -.040	4	6
10	4766404	Wrist Pin Bushing	4	6



**GROUP "C" MODELS 8045.24,8065.24**  
**CONNECTING ROD & CRANKSHAFT GROUP**

ITEM #	PART NUMBER	DESCRIPTION		
1	4785104	Crankshaft	1	-
1A	4785100	Crankshaft	-	1
2	1901803	Main Bearing Std.	5	7
2A	1901804	Main Bearing .010	5	7
2B	1901805	Main Bearing .020	5	7
3	1901377	Thrust Washer KIT	1	1
6	4704106*	Ring Gear	1	1
		<i>*used with some marrelli starters</i>		
7	4796181	Connecting Rod	4	6
8	4762000	Bolt	8	12
9	1901609	Rod Bearing Std.	4	6
9A	1901610	Rod Bearing -.010	4	6
9B	1901611	Rod Bearing -.020	4	6
9C	1901612	Rod Bearing -.030	4	6
9D	1901613	Rod Bearing -.040	4	6
10	4766404	Wrist Pin Bushing	4	6

**GROUP "D" MODELS 8045.25, 8065.25**  
**CONNECTING ROD & CRANKSHAFT GROUP**

1	4785110	Crankshaft	1	-
1A	4785107	Crankshaft	-	1
2	1930176	Main Bearing Std.	5	7
2A	1930177	Main Bearing .010	5	7
2B	1930178	Main Bearing .020	5	7
2C	1930179	Main Bearing .030	5	7
2D	1930180	Main Bearing .040	5	7
3	1901385	Thrust Washer KIT	1	1
6	4704106*	Ring Gear	1	1
		<i>*used with some marrelli starters</i>		
7	98461753	Connecting Rod	4	6
8	4780627	Bolt	8	12
9	1930201	Rod Bearing Std.	4	6
9A	1930202	Rod Bearing -.010	4	6
9B	1930203	Rod Bearing -.020	4	6
9C	1930204	Rod Bearing -.030	4	6
9D	1930205	Rod Bearing -.040	4	6
10	4783226	Wrist Pin Bushing	8	12



**GROUP "E" MODELS 8365.25**  
**CONNECTING ROD & CRANKSHAFT GROUP**

ITEM #	PART NUMBER	DESCRIPTION	4 CYL	6 CYL
1	4832171	Crankshaft		1
2	1901832	Main Bearing Std.		1
2A	1901833	Main Bearing .010		1
2B	1901834	Main Bearing .020		1
2C	1901835	Main Bearing .030		1
2D	1901836	Main Bearing .040		1
3	1901385	Thrust Washer KIT		1
6	4734354*	Ring Gear <i>*Some construction equipment applications</i>		1
7	4821454	Connecting Rod <i>Used with late style rod bearings</i>		6
8	4722162	Bolt		12
9	1901619	Rod Bearing - Std.		6
9A	1901620	Rod Bearing -.010		6
9B	1901621	Rod Bearing -.020		6
9C	1901622	Rod Bearing -.030		6
9D	1901623	Rod Bearing -.040 <i>Above used with early style connecting rod</i>		6
9	1907772	Rod Bearing - Std.		6
9A	1907773	Rod Bearing -.010		6
9B	1907774	Rod Bearing -.020		6
9C	1901996	Rod Bearing -.030		6
9D	1901997	Rod Bearing -.040 <i>Above used with late style connecting rod</i>		6
10	4803660	Wrist Pin Bushing		6



**GROUP "F" MODELS CO3-130**  
**CONNECTING ROD & CRANKSHAFT GROUP**

ITEM #	PART NUMBER	DESCRIPTION	4 CYL	6 CYL
2	1901832	Main Bearing Std.	1	
2A	1901833	Main Bearing .010	1	
2B	1901834	Main Bearing .020	1	
2C	1901835	Main Bearing .030	1	
2D	1901836	Main Bearing .040	1	
		<i>These bearings kits for 6 cylinder engines Discard unused bearings</i>		
3	1901385	Thrust Washer Kit	1	
6	8819789	Ring Gear		
	OR	<i>Review for proper application</i>	1	
6A	4764904	Ring Gear 122 Teeth		
			8	
8	4722162	Bolt	4	
9	1901619	Rod Bearing - Std	4	
9A	1901620	Rod Bearing -.010	4	
9B	1901621	Rod Bearing -.020	4	
9C	1901622	Rod Bearing -.030	4	
9D	1901623	Rod Bearing -.040	4	
10	8828445	Wrist Pin Bushing		

**GROUP "G" MODELS 8215.02, 8215.22**  
**CONNECTING ROD & CRANKSHAFT GROUP**

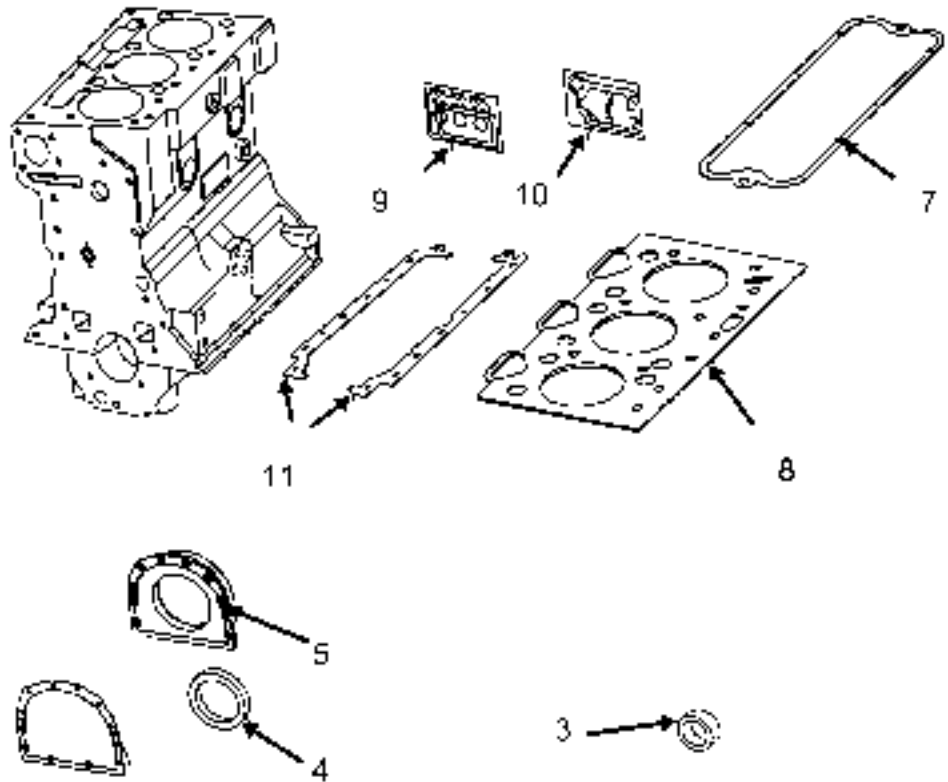
1	98475013	Crankshaft		1
2	1901367	Main Bearing Std.		1
2A	1901368	Main Bearing .010		1
2B	1901369	Main Bearing .020		1
2C	1901370	Main Bearing .030		1
2D	1901371	Main Bearing .040		1
3	1901203	Thrust Washer KIT		1
7	4762030	Connecting Rod <i>Used with late style rod bearings</i>		6
9	1901656	Rod Bearing - Std.		6
9A	1901657	Rod Bearing -.010		6
9B	1901658	Rod Bearing -.020		6
9C	1901659	Rod Bearing -.030		6
9D	1901660	Rod Bearing -.040 <i>Above used up to engine s/n 8136</i>		6
9	1902080	Rod Bearing - Std.		6
9A	1902081	Rod Bearing -.010		6
9B	1902082	Rod Bearing -.020		6
9C	1902083	Rod Bearing -.030		6
9D	1902084	Rod Bearing -.040 <i>Above used from engine s/n 8137</i>		6
10	4762031	Wrist Pin Bushing		6



ITEM #	PART NUMBER	DESCRIPTION	4 CYL	6 CYL
THIS PAGE LEFT BLANK				

## GASKET & SEALS

---





**GROUP "A" MODELS 8041.I.02, 8045.04, 8065.04**  
**GASKET & SEALS**

ITEM #	PART NUMBER	DESCRIPTION	4 CYL	6 CYL
3	98461684	Front Crank Seal	1	1
4	40002811	Rear Main Seal	1	1
		<i>Single Lip 110X135X13</i>		
4A	9846186	Rear Main Seal	1	1
		<i>Single Lip 114X135X13</i>		
4B	75127830	Rear Main Seal w/Sleeve	1	1
		<i>Contains:</i>		
	40003500	Seal Double Lip	1	1
	4751110	Sleeve		
		<i>116X135X18</i>	1	1
5	4849994	Gasket	1	1
7	4845136	Rocker Valve Cover Gasket	1	-
7A	4845138	Rocker Valve Cover Gasket	-	1
8	98456215	Head Gasket	1	-
8A	98456219	Head Gasket	-	1
9	75127417	Upper Gasket Kit	1	-
9A	75127422	Upper Gasket Kit	-	1
10	75127419	Lower Gasket Kit	1	-
10A	75127424	Lower Gasket Kit	-	1
11	1940004	Pan Gasket	1	-
11A	1902219	Pan Gasket	-	1





**GROUP "B" MODELS 8041.I.05, 8045.05, 8061.I.05, 8065.05**  
**GASKET & SEALS**

ITEM #	PART NUMBER	DESCRIPTION	4 CYL	6 CYL
3	98461684	Front Crank Seal	1	1
4	40002811	Rear Main Seal	1	1
		<i>Single Lip 110X135X13</i>		
4A	9846186	Rear Main Seal	1	1
		<i>Single Lip 114X135X13</i>		
4B	75127830	Rear Main Seal w/Sleeve	1	1
		<i>Contains:</i>		
	40003500	Seal Double Lip	1	1
		<i>116X135X18</i>		
	4751110	Sleeve	1	1
5	4849994	Gasket	1	1
9	75127418	Upper Gasket Kit	1	-
9A	75127423	Upper Gasket Kit	-	1
10	75127420	Lower Gasket Kit	1	-
10A	75127425	Lower Gasket Kit	-	1

**GROUP "C" MODELS 8045.24, 8065.24**  
**GASKET & SEALS**

3	98461684	Front Crank Seal	1	1
4	40002811	Rear Main Seal	1	1
		<i>Single Lip 110X135X13</i>		
4A	9846186	Rear Main Seal	1	1
		<i>Single Lip 114X135X13</i>		
4B	75127830	Rear Main Seal w/Sleeve	1	1
		<i>Contains:</i>		
	40003500	Seal Double Lip	1	1
		<i>116X135X18</i>		
	4751110	Sleeve	1	1
5	4849994	Gasket	1	1
7	4845136	Rocker Valve Cover Gasket	1	-
7A	4845138	Rocker Valve Cover Gasket	-	1
8	98456215	Head Gasket	1	-
8A	98456219	Head Gasket	-	1
9	75127417	Upper Gasket Kit	1	-
9A	75127422	Upper Gasket Kit	-	1
10	75127419	Lower Gasket Kit	1	-
10A	75127424	Lower Gasket Kit	-	1
11	1940004	Pan Gasket	1	-
11A	1902219	Pan Gasket	-	1



**GROUP "D" MODELS 8045.25, 8065.25**  
**GASKET & SEALS**

ITEM #	PART NUMBER	DESCRIPTION	4 CYL	6 CYL
3	98461684	Front Crank Seal	1	1
4	40002811	Rear Main Seal	1	1
		<i>Single Lip 110X135X13</i>		
4A	98461686	Rear Main Seal	1	1
		<i>Single Lip 114X135X13</i>		
4B	75127830	Rear Main Seal w/Sleeve	1	1
		<i>Contains:</i>		
	40003500	Seal Double Lip	1	1
	4751110	Sleeve	1	1
		<i>116X135X18</i>		
5	4849994	Gasket	1	1
7	4845136	Rocker Valve Cover Gasket	1	-
7A	4845138	Rocker Valve Cover Gasket	-	1
8	98456215	Head Gasket	1	-
9	75127418	Upper Gasket Kit	1	-
9A	75127423	Upper Gasket Kit	-	1
10	75127420	Lower Gasket Kit	1	-
10A	75127425	Lower Gasket Kit	-	1
11	1940004	Pan Gasket	1	-
11A	1902219	Pan Gasket	-	1



**GROUP "E" MODELS 8365.25**

**GASKET & SEALS**

ITEM #	PART NUMBER	DESCRIPTION	4 CYL	6 CYL
3	40101393	Front Crank Seal	1	1
4	98499174	Rear Main Seal	-	1
	4760463	OS Seal Kit <i>125X150</i>	-	1
		<i>Contains:</i> Seal <i>131X150/158X28</i>	-	1
	40101384	Seal <i>131X150/158X28</i>	-	1
	4801846	Sleeve <i>125X131X28</i>	-	1
5	4851387	Gasket	-	1
7	8829321	Rocker Valve Cover Gasket	-	1
8	4845364	Head Gasket	-	1
9	75127432	Upper Gasket Kit	-	1
10	75127433	Lower Gasket Kit	-	1
11	98424115	Pan Gasket	-	1

**GROUP "F" MODELS CO3-130**

**GASKET & SEALS**

3	40101393	Front Crank Seal	1	1
4	8827804	Rear Main Seal	-	1
4A	4760463	OS Seal Kit	-	1
		<i>Contains:</i> Seal <i>131X150/158X28</i>	-	1
	40101384	Seal <i>131X150/158X28</i>	-	1
	4801846	Sleeve <i>125X131X28</i>	-	1
7	8829095	Rocker Valve Cover Gasket	1	-
8	98499587	Head Gasket	1	-

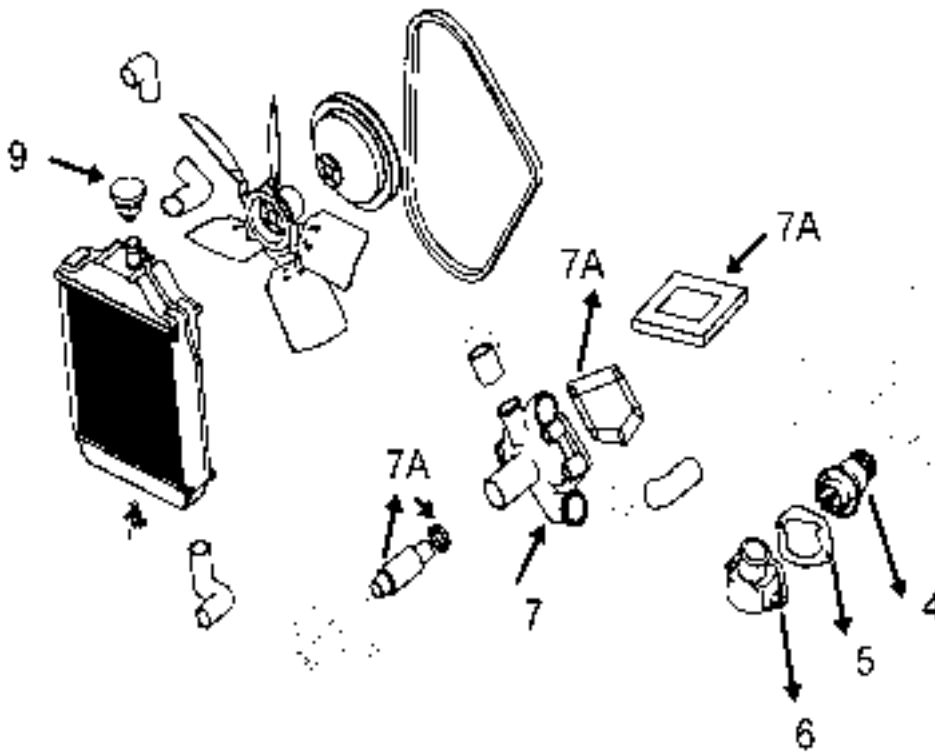


**GROUP "G" MODELS 8215.02, 8215.22**  
**GASKET & SEALS**

ITEM #	PART NUMBER	DESCRIPTION	4 CYL	6 CYL
3	40100301	Front Crank Seal	-	1
4	98480127	Rocker Valve Cover Gasket	-	2
8	4830381	Head Gasket	-	2

**\* Lower engine gasket and seal kits do not include rear main seal.  
Consult proper equipment parts manual or call Illini Inc.  
for correct seal.**

COOLING SYSTEM





**GROUP "A" MODELS 8041.I.02, 8045.04, 8065.04**  
**COOLING SYSTEM**

ITEM #	PART NUMBER	DESCRIPTION	4 CYL	6 CYL
4	4823211	Thermostat	1	1
5	4661543	Housing	1	1
6	98420754	Gasket	1	1
7	93191101	Water Pump	1	1
7 A	76029352	Water Pump, Repair Kit	1	1
9	76027863	Radiator Cap*	1	1
<i>*Some construction equipment applications.</i>				

**GROUP "B" MODELS 8041.I.05, 8061.I.05, 8065.05**  
**COOLING SYSTEM**

7	4813370	Water Pump	1	1
7 A	1940105	Water Pump, Repair Kit	1	1
7	93191101	Water Pump	1	1
7 A	76029352	Water Pump, Repair Kit	1	1
9	76027863	Radiator Cap*	1	1
<i>*Some construction equipment applications.</i>				



**GROUP "C" MODELS 8045.24, 8065.24**  
**COOLING SYSTEM**

ITEM #	PART NUMBER	DESCRIPTION	4 CYL	6 CYL
4	4823211	Thermostat	1	1
5	4661543	Housing	1	1
6	98420754	Gasket	1	1
7	93191101	Water Pump	1	1
7 A	76029352	Water Pump, Repair Kit	1	1
9	76027863	Radiator Cap*	1	1
<i>*Some construction equipment applications.</i>				

**GROUP "D" MODELS 8041.I.05, 8061.I.05, 8065.05**  
**COOLING SYSTEM**

7	4813370	Water Pump	1	1
7 A	1940105	Water Pump, Repair Kit	1	1

**GROUP "E" MODELS 8365.25**  
**COOLING SYSTEM**

4	4808727	Thermostat	1	1
6	98443664	Gasket	1	1
7	98410023	Water Pump	1	1
7 A	79094075	Water Pump, Repair Kit	1	1
9	76027863	Radiator Cap*	1	1
<i>*Some construction equipment applications.</i>				



# **FILTER SECTION**





**MODELS FD5, FL5 - UP to S/N 201359**

ITEM #	PART NUMBER	DESCRIPTION
1	4648371	Engine Oil Filter
1	4788503	Fuel Filter
1	772160	Sediment Bowl Screen
1	79081328	Air, Outer
1	79081327	Air, Inner
1	79104646	Transmission
1	1930874	Hydraulic

**MODELS FD5, FL5 - from S/N 201359**  
**also FL5B ALL S/N's**

1	4648371	Engine Oil Filter
2	251397	Fuel Filter
1	1930764	Air, Outer
1	1930730	Air, Inner
1	79104646	Transmission
1	1930874	Hydraulic

**MODELS FD7, FL7 - UP to S/N 250904**

2	4027979	Engine Oil Filter
1	4788503	Fuel Filter
1	6800064	Air, Outer
1	1007974	Air, Inner



**MODELS FD7,FL7 from S/N 250905**  
**FL7B all S/N's**

ITEM #	PART NUMBER	DESCRIPTION
2 2 1 1	4027979 1930010 6800064 1007974	Engine Oil Filter Fuel Filter Air, Outer Air, Inner
<b><u>MODELS 8B,FL9 - ALL S/N's</u></b>		
1 1 1 1 1	4648371 1909119 251397 6800064 1007974	Engine Oil Filter Primary Fuel Filter Secondary Fuel Filter Air, Outer Air, Inner
<b><u>MODELS FD9 - ALL S/N's</u></b>		
2 1 1 1	1930213 4788503 6800064 1007974	Engine Oil Filter Fuel Filter Air, Outer Air, Inner



**MODELS 10B - ALL S/N's**

ITEM #	PART NUMBER	DESCRIPTION
2	4648371	Engine Oil Filter
1	4788503	Primary Fuel Filter
1	1902096	Secondary Fuel Filter
1	8322128	Air, Outer
1	8322129	Air, Inner
1	1930736	Hydraulic

**MODELS FL10B - ALL S/N's**

1	4648371	Engine Oil Filter
1	4788503	Fuel Filter
1	772160	Sediment Bowl Screen
1	8322128	Air, Outer
1	8322129	Air, Inner
1	1930736	Hydraulic

**MODELS 10C,FL10C - ALL S/N's**

1	4667755	Engine Oil Filter
1	4788503	Primary Fuel Filter
1	1902096	Secondary Fuel Filter(10C only)
1	772160	Sediment Bowl Screen(FL10C only)
1	9043778	Air, Outer
1	79043779	Air, Inner
1	1930736	Hydraulic



**MODELS FL10E - ALL S/N's**

ITEM #	PART NUMBER	DESCRIPTION
2	1930213	Engine Oil Filter
1	4788503	Fuel Filter
1	70684732	Air, Outer
1	70662608	Air, Inner
1	1930743	Transmission

**MODELS 14B, FL14B - ALL S/N's**

2	4667755	Engine Oil Filter
1	4788503	Primary Fuel Filter
1	1902096	Secondary Fuel Filter
1	8322128	Air, Outer
1	8322129	Air, Inner
1	1930736	Hydraulic

**MODELS 14C, FL14C, FL14E, FD14E - ALL S/N's**

2	4667755	Engine Oil Filter(up to s/n 52918)
1	1930542	Engine Oil Filter(s/n 52919 & up)
1	4788503	Primary Fuel Filter(spin on)
1	1902096	Secondary Fuel Filter(cartridge)
1	9043778	Air, Outer(except C s/n's 50101-52918)
1	79043779	Air, Inner(except C s/n's 50101-52918)
1	79042202	Air, Outer(s/n's 50101-52918 C only)
1	H3074307M1	Air, Inner(s/n's 50101-52918 C only)
1	4734562	Coolant
1	1930736	Hydraulic(FL14E only)



**MODELS FR7 - ALL S/N's**

ITEM #	PART NUMBER	DESCRIPTION
1	4648371	Engine Oil Filter
2	251397	Fuel Filter
1	9917890	Sediment Bowl Screen
1	1023677	Air, Outer
1	H3638351M1	Air, Inner
1	79104646	Hydraulic

**MODELS FR7 - S/N 63010 & UP**

1	4648371	Engine Oil Filter
1	1930010	Fuel Filter
1	79081327	Air, Outer
1	79081328	Air, Inner
1	79104646	Transmission

**MODELS FR9B - ALL S/N's**

1	1930213	Engine Oil Filter
1	1930010	Fuel Filter
1	6800064	Air, Outer
1	1007974	Air, Inner
1	79104646	Transmission



**MODELS FR10B- ALL S/N's**

ITEM #	PART NUMBER	DESCRIPTION
2	1930213	Engine Oil Filter
2	1930010	Fuel Filter
1	6800064	Air, Outer
1	1007974	Air, Inner
1	79104646	Transmission
<b><u>MODELS FR10 up to S/N 525840</u></b>		
2	4027979	Engine Oil Filter
2	251397	Fuel Filter
1	70684732	Air, Outer
1	70662608	Air, Inner
1	3142551	Transmission
1	4734562	Coolant
1	70666421	Hydraulic
<b><u>MODELS FR11 ALL S/N,FR12 S/N 525840 &amp; up,FR12B S/N 560101 &amp; up</u></b>		
2	1930213	Engine Oil Filter
1	4788503	Fuel Filter
1	70684732	Air, Outer
1	70662608	Air, Inner
1	3142551	Transmission
1	4734562	Coolant(if equipped)
1	70666421	Hydraulic



**MODELS FR15, FR15B - ALL S/N's**

ITEM #	PART NUMBER	DESCRIPTION
1	4667755	Engine Oil Filter(FR15 only)
1	1930542	Engine Oil Filter(FR15Bonly)
1	4788503	Primary Fuel Filter(spin on)
1	1902096	Secondary Fuel Filter(cartridge)
1	9043778	Air, Outer
1	79043779	Air, Inner
1	3142551	Transmission
1	4734562	Coolant
2	70666421	Hydraulic

**MODELS FR20, FR20B - ALL S/N's**

2	1930595	Engine Oil Filter
1	4788503	Primary Fuel Filter(spin on)
1	1902096	Secondary Fuel Filter(cartridge)
1	684734	Air, Outer
1	70662477	Air, Inner
1	3142551	Transmission
1	4734562	Coolant
2	70666421	Hydraulic

--	--	--

--	--	--







---

**CONTACT  
ILLINI FOR YOUR  
ENGINE PARTS  
NEEDS**

**630-443-9500**

**Printed hard copy book version = part no. ILLININO3**

**CD-ROM pdf file book version = part no. ILLININO4**

**Use Acrobat Reader to view & / or printed this file.**

**Acrobat Reader can be download free from the internet, or  
can be purchased from most computer/software stores.**